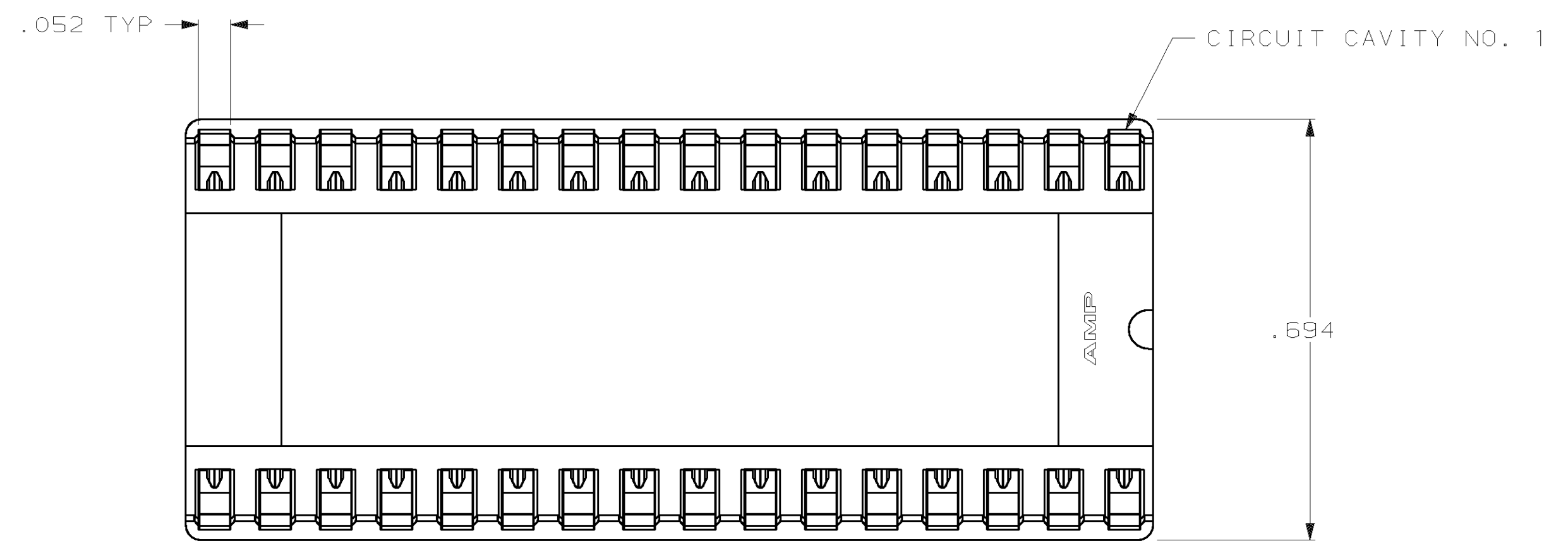
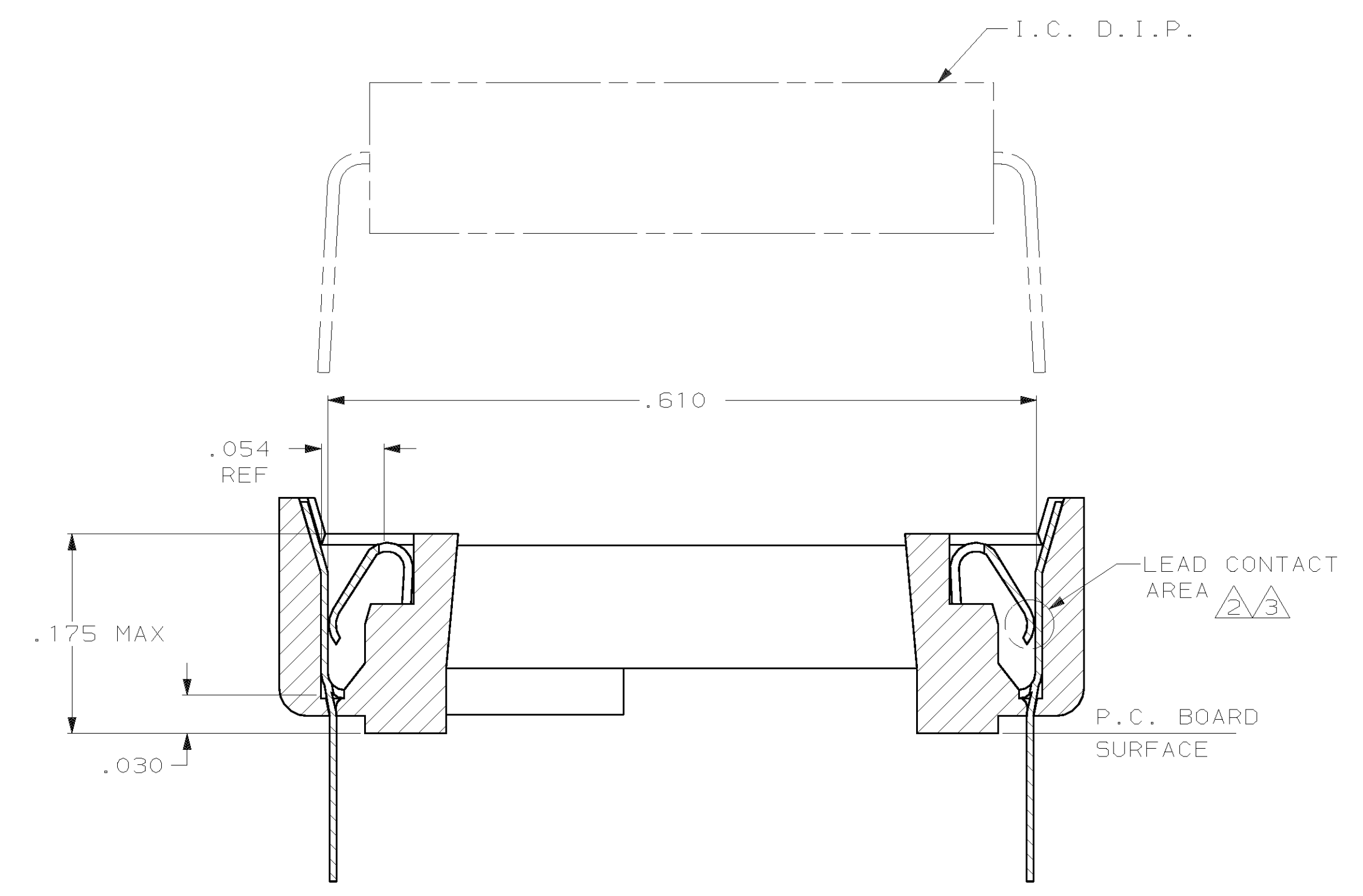
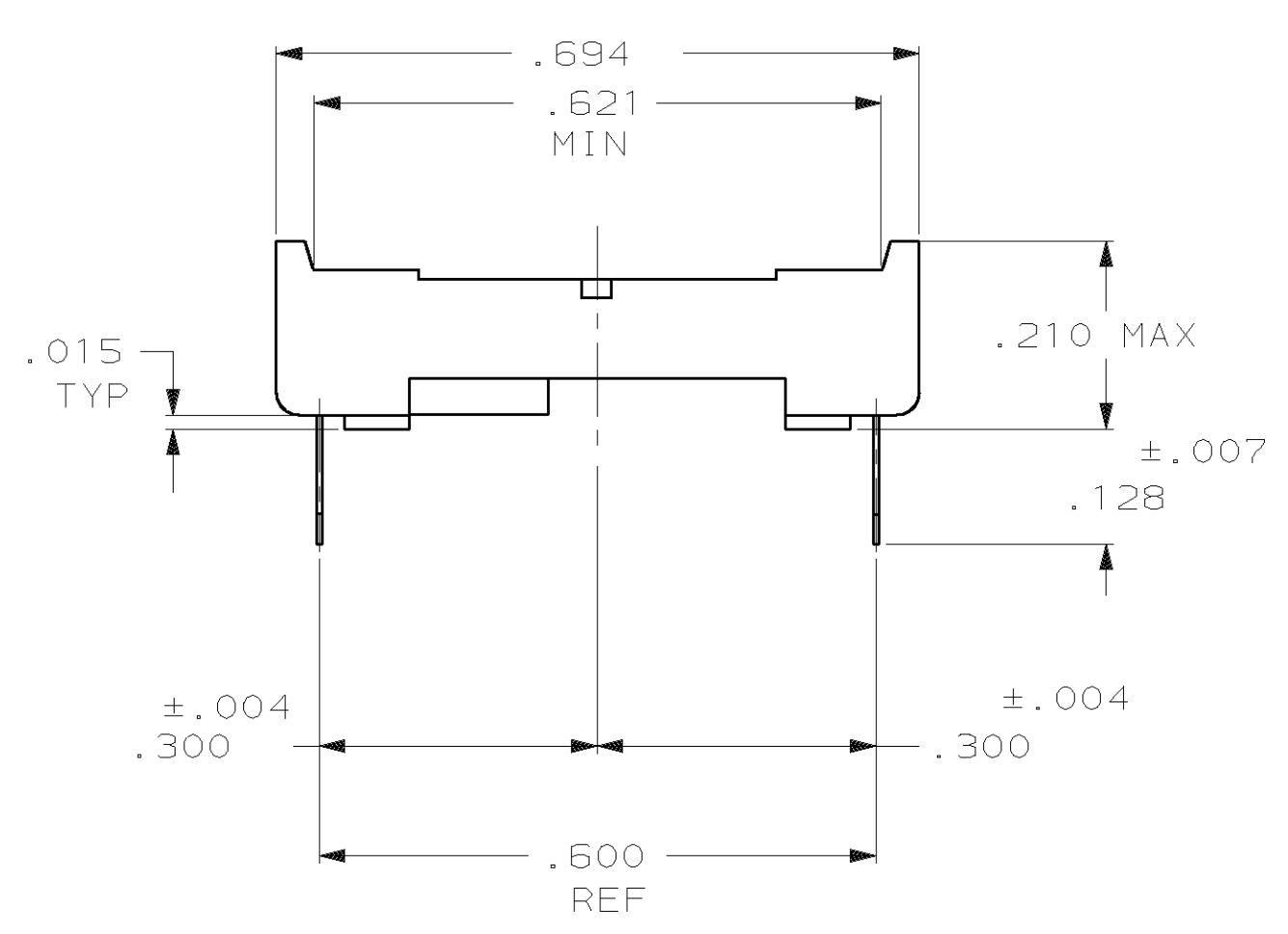
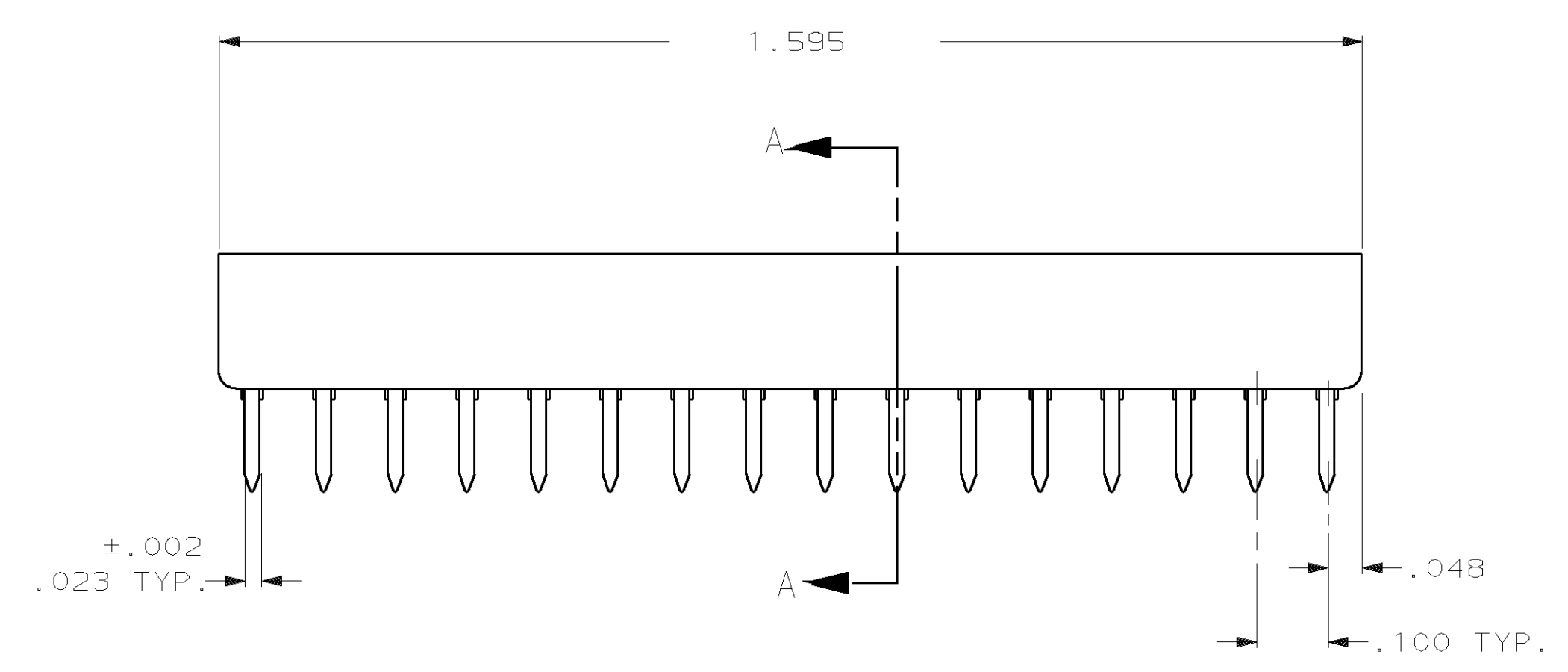


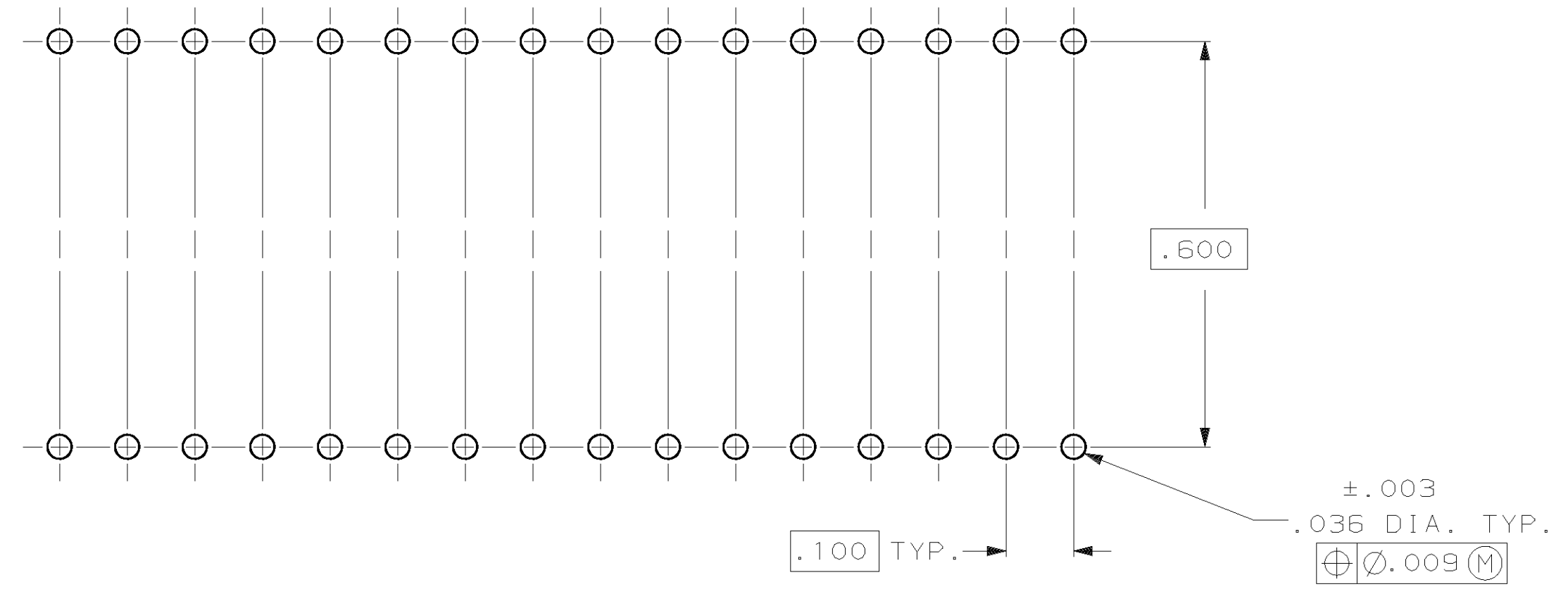
| LOC | | DIST | | REVISIONS | | | |
|-----|---|------|-----|----------------------|---------|-----|------|
| AD | 0 | TR | LTR | DESCRIPTION | DATE | DWN | APVD |
| | | V | | REV PER 063C-0104-01 | 04SEP01 | RB | JO |



1. RECEPTACLE ACCEPTS AN .008-.014 THK. I.C. LEAD.
2. TWO .000030 MIN. THK. GOLD STRIPES IN CONTACT AREA, TIN-LEAD(93-7) ON CONTACT LEGS, BALANCE OF CONTACT NICKEL PLATED.
3. TWO .000015 MIN. THK. GOLD STRIPES IN CONTACT AREA, TIN-LEAD(93-7) ON CONTACT LEGS, BALANCE OF CONTACT NICKEL PLATED.
4. TUBE LOADED FOR AUTOMATIC INSERTION
5. SPECIAL PACKAGING.
6. SEE RESTRICTED CUSTOMER DRAWING 4-644018-3.



SECTION A-A
SCALE 10:1



RECOMMENDED MOUNTING HOLE PATTERN

| SUPSD BY | CONTACT FINISH | CONTACT MAT'L | HOUSING MATERIAL | PART NO. |
|-------------------|----------------|--------------------|--|------------|
| SUPSD BY 390262-3 | TINNED | PHOS.BRZ. | GLASS-FILLED THERMOPLASTIC, 94V-0, BLACK | 5-644018-3 |
| OBSOLETE | - | - | - | 6 |
| OBSOLETE | TINNED | PHOS.BRZ. .006 THK | GLASS-FILLED THERMOPLASTIC, 94V-0, BLACK | 2-644018-5 |
| | | | GLASS-FILLED THERMOPLASTIC, 94V-0, BLACK | 2-644018-4 |
| SUPSD BY 390263-2 | TINNED | PHOS.BRZ. | GLASS-FILLED THERMOPLASTIC, 94V-0, BLACK | 2-644018-3 |
| | | BE.CU. | GLASS-FILLED THERMOPLASTIC, 94V-0, BLACK | 2-644018-2 |
| SUPSD BY 390263-2 | TINNED | BE.CU. | GLASS-FILLED THERMOPLASTIC, 94V-0, BLACK | 2-644018-1 |

THIS DRAWING IS A CONTROLLED DOCUMENT. DWN M. CYRUS 14 MAY 92
 CHK R. MILLER
 APVD J. GRAY

AMP AMP Incorporated
 Harrisburg, PA 17105-3608

NAME: SOCKET ASSY, DIP, OTC, 32 POS, DIPLOMATE DL

PRODUCT SPEC: 108-1066
 APPLICATION SPEC: 114-1049

SIZE: A1 00779 C-644018
 WEIGHT: -
 CUSTOMER DRAWING

SCALE: 5:1 SHEET 1 OF 1 REV V